



GARDTEC

Part Number:

HP75R ("45" Plug)

Wire: **SPT1 2 conductor with Red Wire 105°C, 300 volts**

Lengths: **Standard** (12", 24", 36", 40",
48", 50", 60" and 80")


Custom (any length you desire.)


When ordering, add desired length to
part number (i.e. 52.5" would be HP75-52.5))

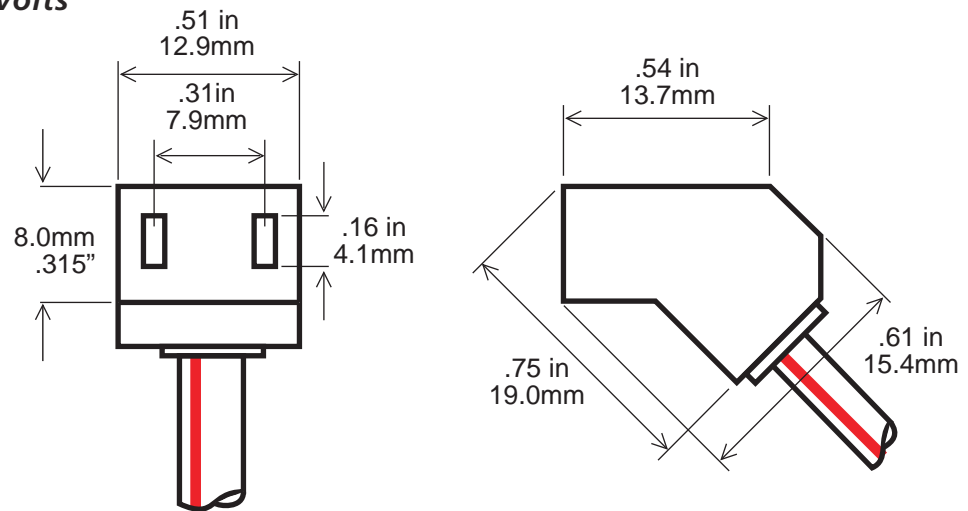
Other options:

- **terminal connections** (any)
- **heat shrink**
- **labeling**
- **stripping**
- **tinning**
- **three conductor cords**
- **complete wire harness assemblies**
(rated at 105°C, 300 volts)
- **red tracer cords**
(all head configurations and lengths)

Listings:

 UL listed (E189621, E156798)
Rated 10 AMP/125 VAC

 CSA listed (LR76679-1)
Rated 7 AMP/125 VAC



Red wire on
right side of
fan cord.